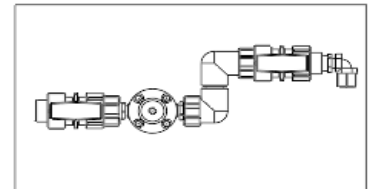
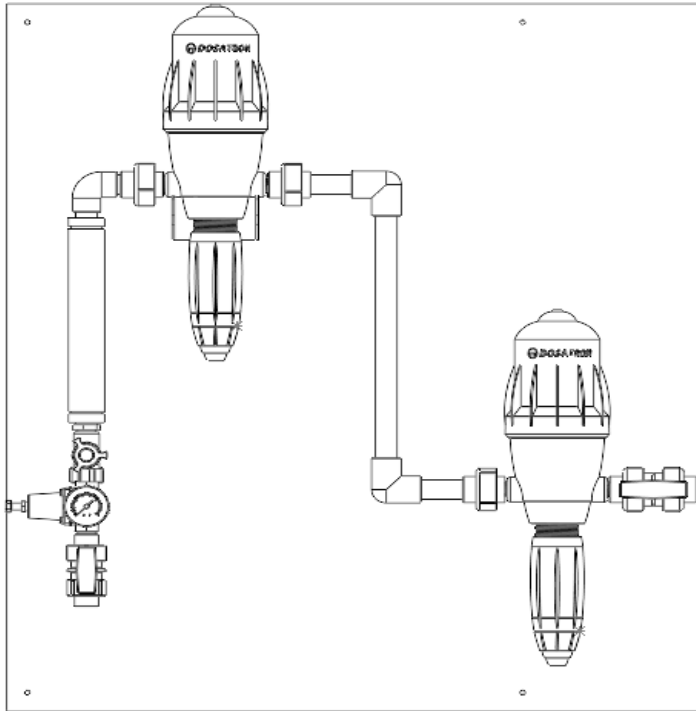


CLO₂IX[®] WD CHLORINE DIOXIDE GENERATOR

for

CONTINUOUS CLEANING OF WETTED SURFACES



WD-500-1000

Continuous Biofilm Removal

Cooling Towers

Agriculture

Wastewater

WHAT IS ON YOUR PIPES IS IN YOUR PRODUCT!

Catalyst Size	WDC-500		WDC-750		WDC-1000	
	Imperial	Metric	Imperial	Metric	Imperial	Metric
ClO ₂ Production:	50 lb/day	22 kg/day	75 lb/day	34 kg/day	100 lb/day	45 kg/day
Nominal Flow Rate:	2.5 gal/min	10 L/min	3.9 gal/min	15 L/min	5.0 gal/min	20 L/min
Minimum Flow Rate:	1.25 gal/min	5 L/min	1.95 gal/min	7.5 L/min	2.5 gal/min	10 L/min
ClO ₂ Solution Production:*	3,800 gal Soln./day	14,400 L Soln./day	5,700 gal Soln./day	21,600 L Soln./day	7,600 gal Soln./day	28,800 L Soln./day
ClO ₂ Concentration:	1,650 mg/L at 70% conversion					
ClO ₂ Conversion:	Imperial			Metric		
	70% +/- 5% @ 77°F			70% +/- 5% @ 25°C		
Pump Board:	38 in x 33 1/2 in x 7 in			0.97 m x 0.85 m x 0.18 m		
Back Pressure Valve Board:	10 in x 17 in x 6 in			0.25 m x 0.43 m x 0.15 m		

Operating Parameters

Maximum Feed Water Quality:	Potable Water (<500 ppm TDS)	
Maximum Feed Water Conductivity:	1,000 µS	
Maximum Total Hardness:	350 mg/L as CaCO ₃	
Ambient Temperature Range:	40°F – 110°F	4.4°C – 43.3°C
Water Temperature Range:	50°F – 90°F	10°C – 32.2°C

Plumbing Connections on Generator

Inlet Water:	3/4" Spears Union MPT
Product ClO ₂ :	3/4" Spears Union FPT
Inlet NaClO ₂ :	3/8" PE Tubing
Inlet H ₂ SO ₄ :	3/8" PE Tubing

Installation Plumbing Requirements

Inlet Water Pressure:	1.4 – 5.5 bar	20 – 80 psi
Drain Pressure:	Atmospheric	

Precursor Requirements

NaClO ₂ :	25% Active
Regenerant H ₂ SO ₄ :	35% (w/w) Active

NOTE: All systems are shipped dry and chemical-free.

Pump Specifications

NaClO ₂ Dilution Rate:	92:1
H ₂ SO ₄ Dilution Rate:	200:1 – 400:1



Dripping Wet Water ClO₂IX® units are tested and certified to NSF/ANSI 51 and 61. See www.wqa.org for any specific product details.

Dripping Wet Water
413 W. Nakoma Dr.
San Antonio, TX 78216
(210) 384-0805 Fax (210) 525-8883
www.clo2ix.com

ClO₂IX®